

# Specifications - Aqua Matic/Aqua Whisper DX

\* For general system specifications, refer to page 22

	Model #	Production/hr.	Production/24hrs.	Aqua Matic compact*	Aqua Matic modular*	Aqua Whisper compact*	Aqua Whisper modular*
PRODUCTION & WEIGHT	450-1	19 Gal / 71 L	450 Gal / 1,703 L	153 lbs / 69 kg	149 lbs / 68 kg	157 lbs / 71 kg	153 lbs / 69 kg
	700-1	29 Gal / 110 L	700 Gal / 2,650 L	156 lbs / 71 kg	152 lbs / 69 kg	160 lbs / 73 kg	156 lbs / 71 kg
	900-1	38 Gal / 142 L	900 Gal / 3,407 L	158 lbs / 72 kg	154 lbs / 70 kg	162 lbs / 73 kg	158 lbs / 72kg
	900-2	38 Gal / 142 L	900 Gal / 3,407 L	165 lbs / 75 kg	161 lbs / 73 kg	169 lbs / 77 kg	165 lbs / 75 kg
	1400-2	58 Gal / 221 L	1,400 Gal / 5,300 L	171 lbs / 76 kg	167 lbs / 76 kg	175 lbs / 79 kg	171 lbs / 76 kg
	1800-2	75 Gal / 284 L	1,800 Gal / 6,814 L	176 lbs / 80 kg	172 lbs / 78 kg	180 lbs / 82 kg	175 lbs / 79 kg

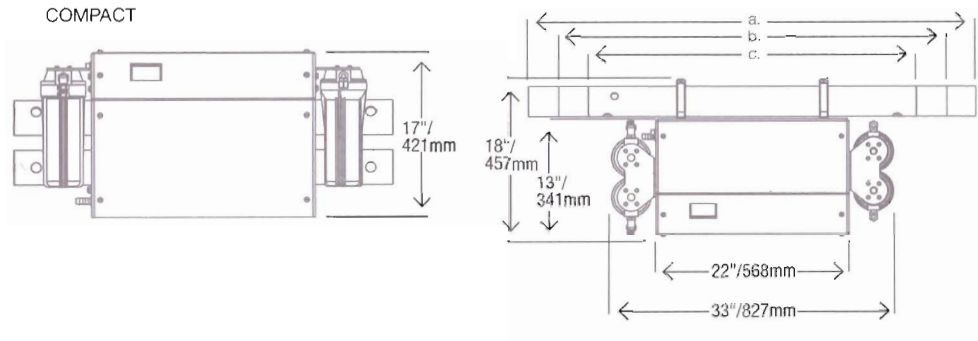
\* Weights based on single phase motor. For three phase motors subtract 9 lbs.

ELECTRICAL	Phase	Pump Motor	Voltage VAC	Hz	Normal Operating Amps	Start Up Current
Plunger Pump Radial Axial Pump	Single	High Pressure / Booster	110-115 / 220 -230	50 / 60	110 / 220 30 / 15	110 / 220 90 / 45
	Single	High Pressure / Booster	110-115 / 220 -230	50 / 60	35 / 17.5	95 / 48
Plunger Pump Radial Axial Pump	Three	High Pressure / Booster	220-230 / 380-460	50 / 60	220 / 380 - 440 11 / 5.5	220 / 380 - 460 30 / 15
	Three	High Pressure / Booster	220-230 / 380-460	50 / 60	11 / 5.5	30 / 15

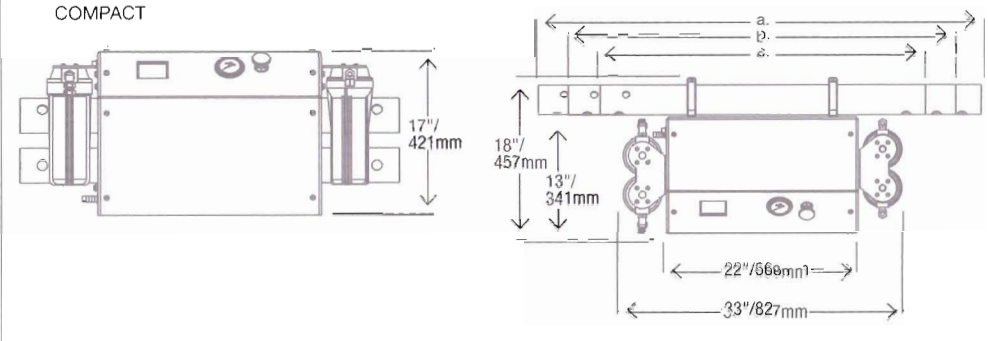
Circuit Breaker Size	Operating AC Voltage	Phase	Recommended circuit breaker
Plunger Pump Radial Axial Pump	110-115 / 220-230	Single	40 Ampere / 20 Ampere 45 Ampere / 25 Ampere
Plunger Pump Radial Axial Pump	220 / 380 / 460	Three	15 Ampere / 10 Ampere / 10 Ampere 15 Ampere / 10 Ampere / 10 Ampere

# Dimensions

## AQUA MATIC

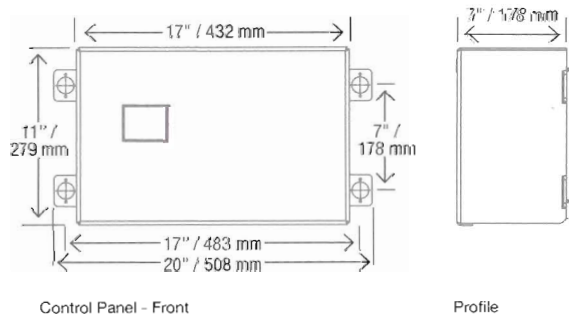


## AQUA WHISPER<sub>DX</sub>



- a. 27 15/16" (710mm): Aqua Matic / Aqua Whisper Compact 450-1 & 900-2    b. 37 15/16" (964mm): Aqua Matic / Aqua Whisper Compact 700-1 & 1400-2  
 c. 46 15/16" (1192mm): Aqua Matic / Aqua Whisper Compact 900-1 & 1800-2

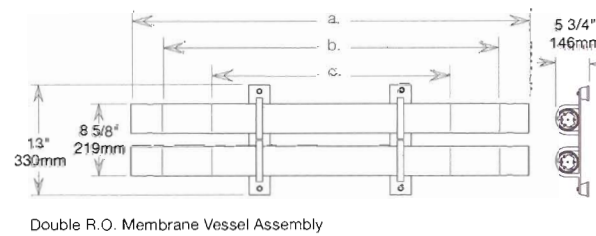
### AQUA MATIC MODULAR



Control Panel - Front

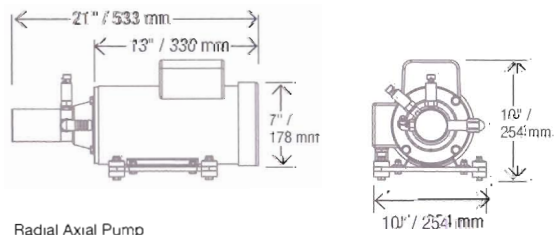
Profile

### AQUA MATIC / AQUA WHISPER VESSELS AND OPTIONS



Double R.O. Membrane Vessel Assembly

- a. 27 15/16" - 710mm: SRC Aqua Matic / Aqua Whisper Modular 450-1 & 900-2  
 b. 37 15/16" - 964mm: SRC Aqua Matic / Aqua Whisper Modular 700-1 & 1400-2  
 c. 46 15/16" - 1192mm: SRC Aqua Matic / Aqua Whisper Modular 900-1 & 1800-2



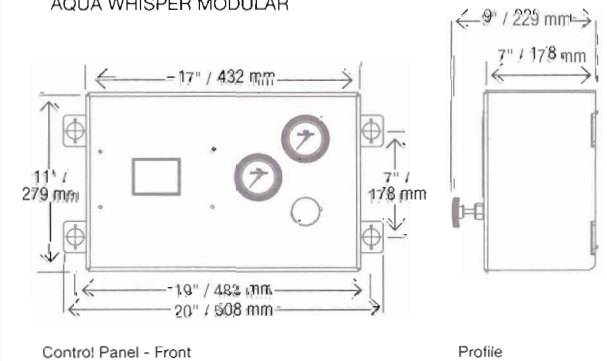
Radial Axial Pump

Sea Strainer

Dual Pre-filter & Dual Post Filter

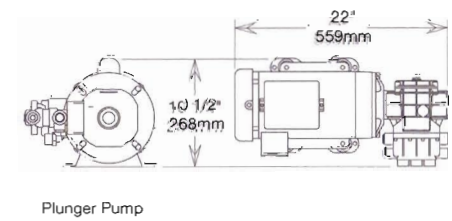
Booster Pump

### AQUA WHISPER MODULAR



Control Panel - Front

Profile



Plunger Pump

WATER CONNECTIONS: Feed Water 3/4", Brine Discharge 3/4", Product Water 1/2"