

Sea Recovery Aqua Whisper DX

Large to Mega Yachts
(over 80 ft / 24 m)



Be Completely in Control

The Aqua Whisper DX grants boaters the freedom to monitor and regulate system capabilities. Made for the hands-on boater, the Aqua Whisper DX allows you to customize features and pressure settings with an advanced touchscreen display. It's ruggedness and reliability allows boaters to confidently command their watermaker in all parts of the world.



Contact Information:

Parker Hannifin Corporation
Water Purification
2630 E. El Presidio Street
Carson, CA 90810

phone 310 608 5600
fax 310 608 5692
waterpurification@parker.com

Website:
www.parker.com/waterpurification

Sales:
waterpurification@parker.com

Tech Support:
watertech@parker.com

Features & Benefits:

- Touchscreen Controller
- Digital menu
- Quiet performance
- NMEA 2000 compliant
- User adjusted operation



Aqua Whisper DX - modular



ENGINEERING YOUR SUCCESS

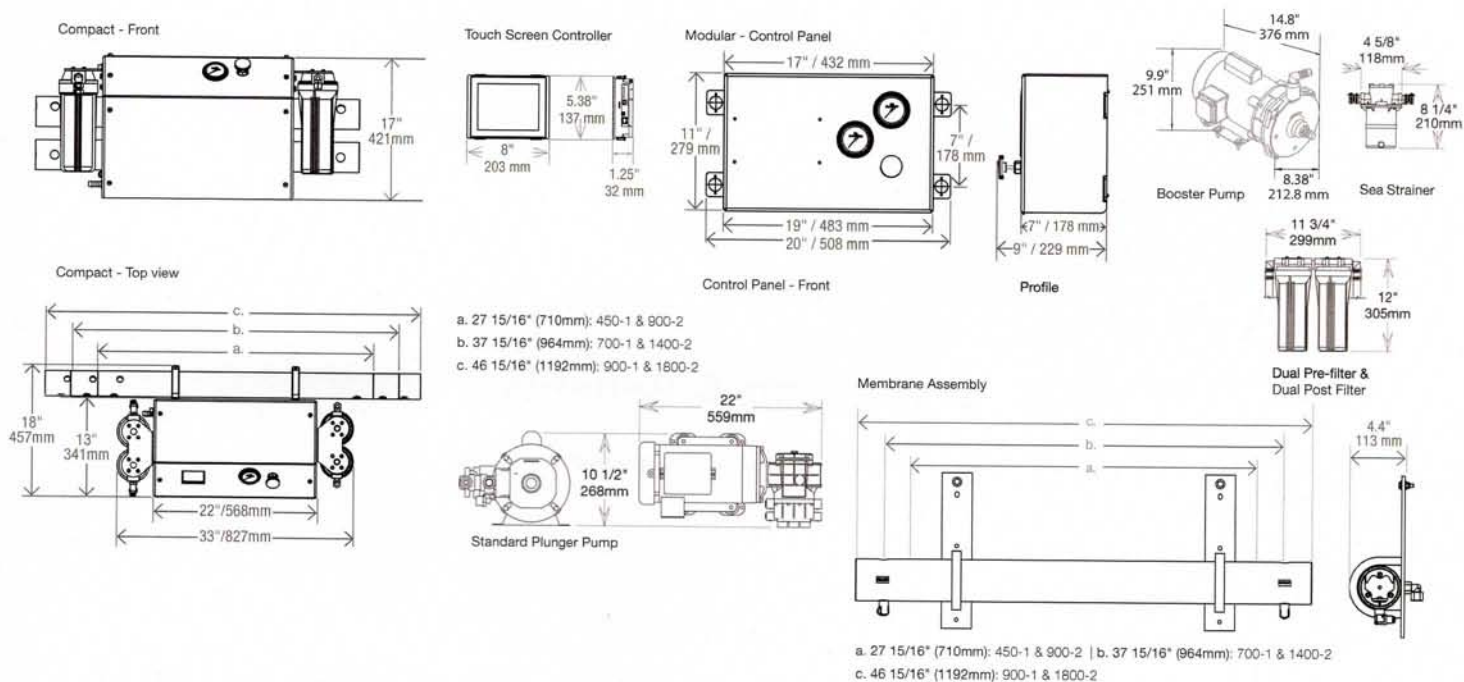
Specifications

	Model #	Production / Hr.	Production / 24 hrs.	AW DX Compact*	AW DX Modular*
PRODUCTION & WEIGHT	450-1	19 Gal / 71 L	450 Gal / 1,703 L	153 lbs / 69 kg	149 lbs / 68 kg
	700-1	29 Gal / 110 L	700 Gal / 2,650 L	156 lbs / 71 kg	152 lbs / 69 kg
	900-1	38 Gal / 142 L	900 Gal / 3,407 L	158 lbs / 72 kg	154 lbs / 70 kg
	900-2	38 Gal / 142 L	900 Gal / 3,407 L	165 lbs / 75 kg	161 lbs / 73 kg
	1400-2	58 Gal / 221 L	1,400 Gal / 5,300 L	171 lbs / 76 kg	167 lbs / 76 kg
	1800-2	75 Gal / 284 L	1,800 Gal / 6,814 L	176 lbs / 80 kg	172 lbs / 78 kg

ELECTRICAL	Phase	Pump Motor	Voltage VAC	Hz	NOA	SUC	Operating Voltage	Start Up Current
Plunger Pump Radial Axial Pump	Single	HP / Booster	110-115 / 220 -230	50 / 60	110 / 220 30 / 15	110 / 220 100 / 50	110-115 / 220-230	40 Ampere / 20 Ampere
	Single	HP / Booster	110-115 / 220 -230	50 / 60	35 / 17.5	100 / 55	110-115 / 220-230	45 Ampere / 25 Ampere
	Three	HP / Booster	220-230 / 380-460	50 / 60	11 / 5.5	30 / 15	220 / 380 / 460	15 Ampere / 10 Ampere / 10 Ampere
	Three	HP / Booster	220-230 / 380-460	50 / 60	11 / 5.5	30 / 15	220 / 380 / 460	15 Ampere / 10 Ampere / 10 Ampere

*Production may vary +/-20% | GPD: Gallons per day • LPD: Liters per day

Dimensions



WARNING: This product can expose you to chemicals including Di(2-ethylhexyl) phthalate (DEHP), which is known to the state of California to cause cancer and birth defects or other reproductive harm. For more information go to www.P65Warnings.ca.gov.

